

Register Transfer Methodology II

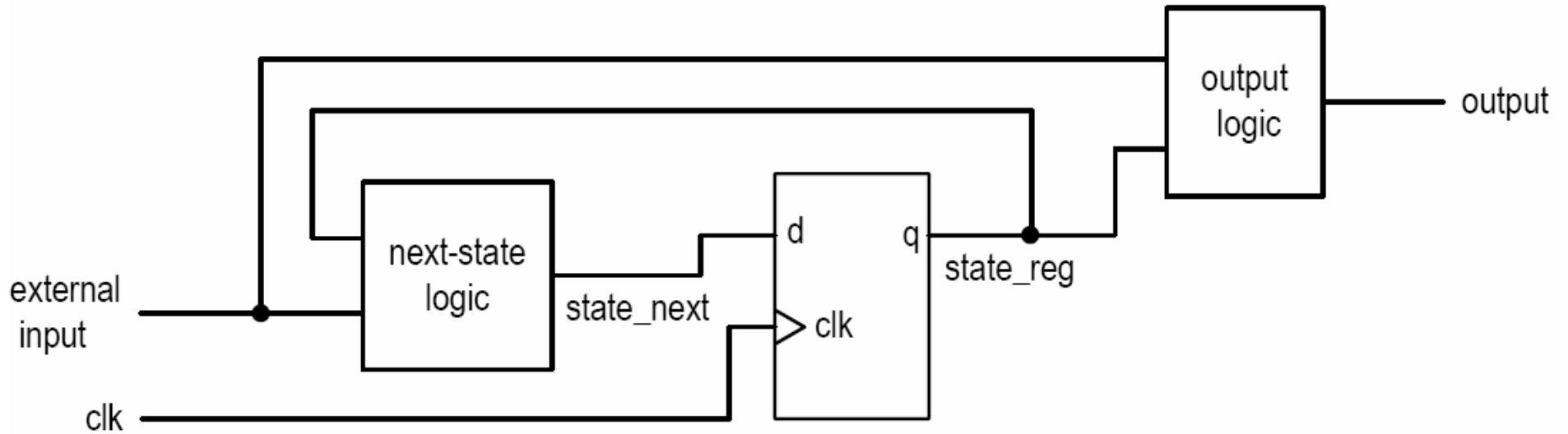
Outline

1. Design example: One-shot pulse generator
2. Design Example: GCD
3. Design Example: UART
4. Design Example: SRAM Interface Controller
5. Square root approximation circuit

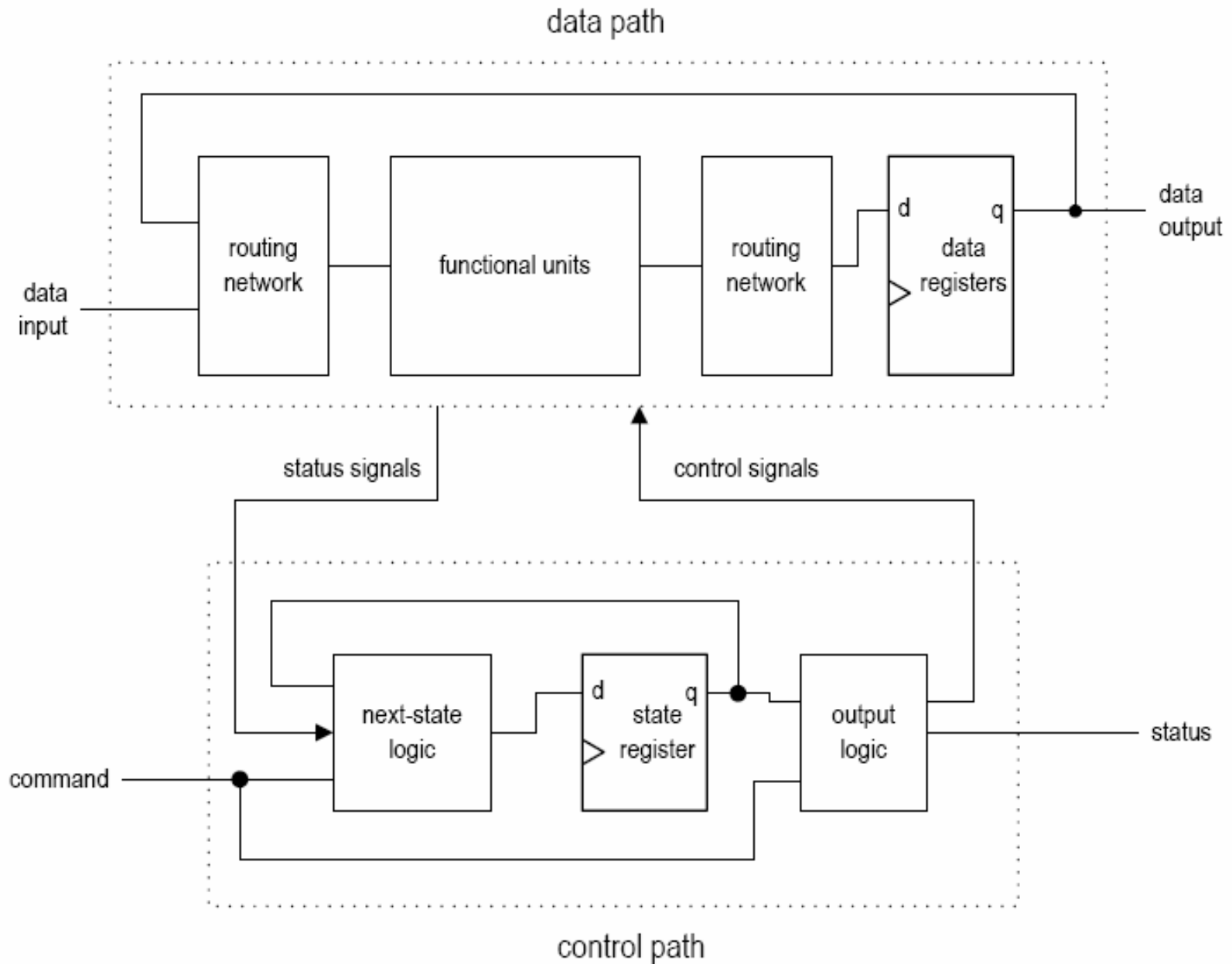
1. One-shot pulse generator

- Sequential circuit divided into
 - Regular sequential circuit: w/ regular next-state logic
 - FSM: w/ random next-state logic
 - FSMD: w/ both
- Division for code development; no formal definition;
- Some design can be coded in different types
- FSMD is most flexible
- One-shot pulse generator as an example

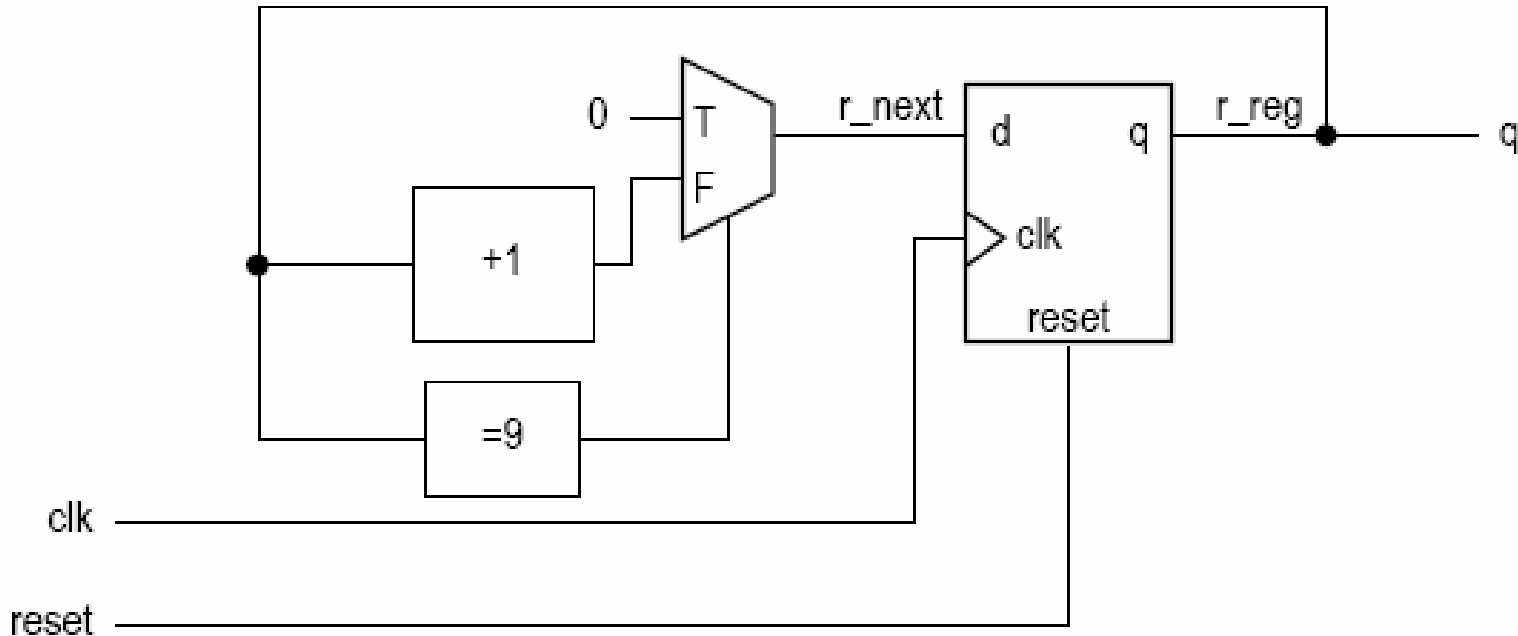
- Basic block diagram



- Refined block diagram of FSMD



- Regular sequential circuit. E.g., mod-10 counter

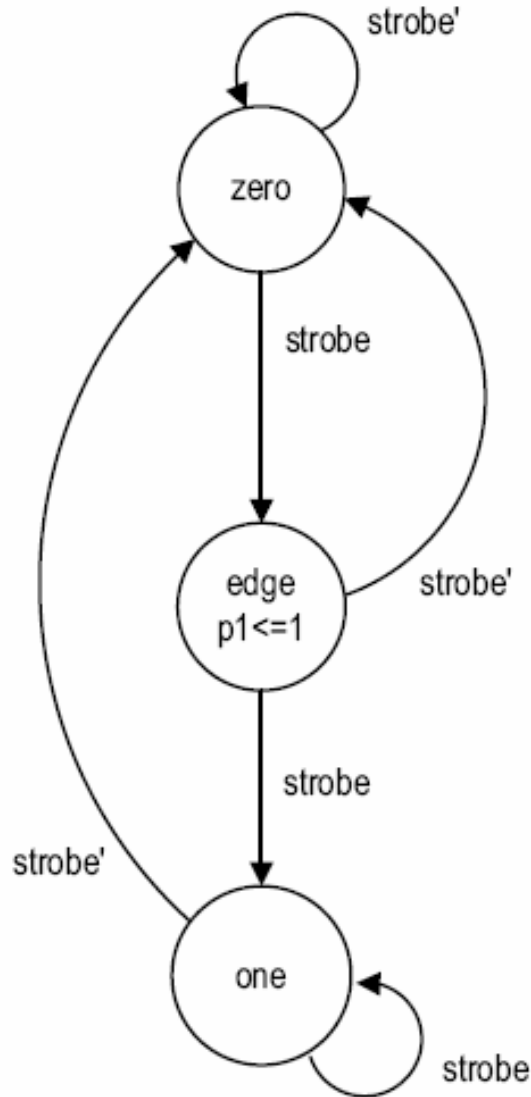


```

-- next-state logic
r_next <= (others=>'0') when r_reg=(TEN-1) else
         r_reg + 1;

```

- FSM. E.g., edge-detection circuit

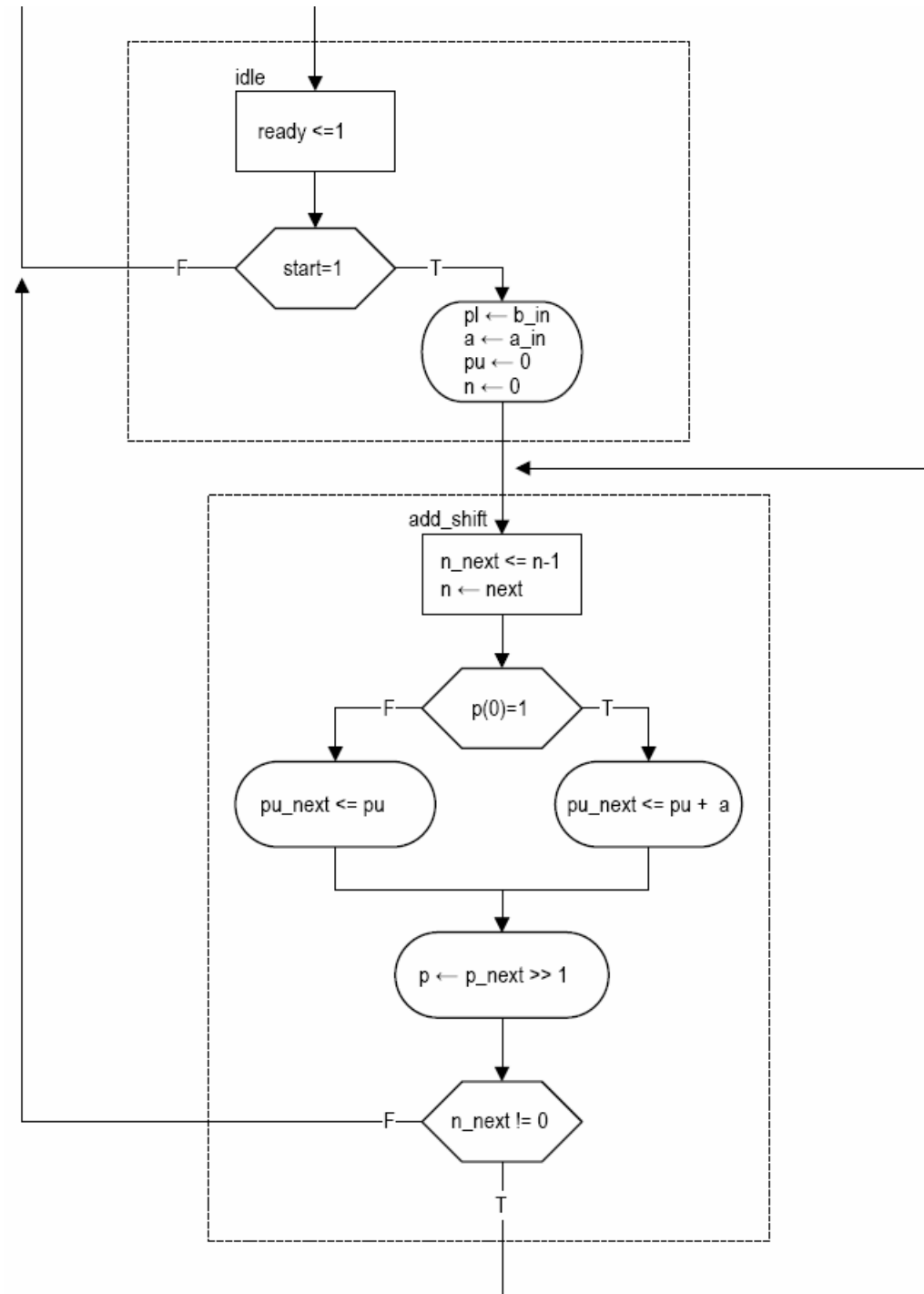


```

-- next-state logic
process(state_reg, strobe)
begin
  case state_reg is
    when zero =>
      if strobe = '1' then
        state_next <= edge;
      else
        state_next <= zero;
      end if;
    when edge =>
      if strobe = '1' then
        state_next <= one;
      else
        state_next <= zero;
      end if;
    when one =>
      if strobe = '1' then
        state_next <= one;
      else
        state_next <= zero;
      end if;
  end case;
end process;

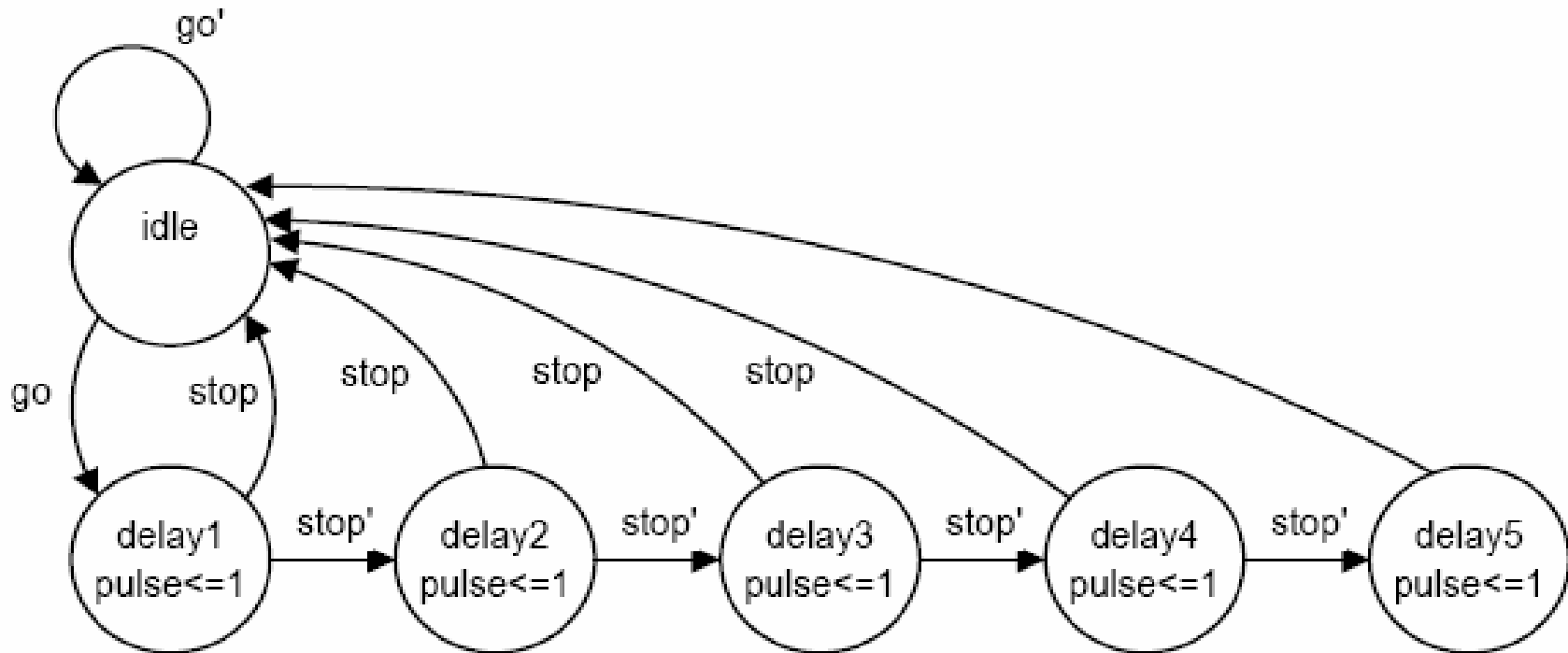
```

- FSMD.
E.g., multiplier



- One-shot pulse generator
 - I/O: Input: `go`, `stop`; Output: `pulse`
 - `go` is the trigger signal, usually asserted for only one clock cycle
 - During normal operation, assertion of `go` activates `pulse` for 5 clock cycles
 - If `go` is asserted again during this interval, it will be ignored
 - If `stop` is asserted during this interval, `pulse` will be cut short and return to 0

- FSM implementation



```

library ieee;
use ieee.std_logic_1164.all;
use ieee.numeric_std.all;
entity pulse_5clk is
    port(
        clk, reset: in std_logic;
        go, stop: in std_logic;
        pulse: out std_logic
    );
end pulse_5clk;

architecture fsm_arch of pulse_5clk is
    type fsm_state_type is
        (idle, delay1, delay2, delay3, delay4, delay5);
    signal state_reg, state_next: fsm_state_type;
begin
    -- state register
    process(clk, reset)
    begin
        if (reset='1') then
            state_reg <= idle;
        elsif (clk'event and clk='1') then
            state_reg <= state_next;
        end if;
    end process;
end fsm_arch;

```

```

-- next-state logic & output logic
process(state_reg,go,stop)
begin
    pulse <= '0';
    case state_reg is
        when idle =>
            if go='1' then
                state_next <= delay1;
            else
                state_next <= idle;
            end if;
        when delay1 =>
            if stop='1' then
                state_next <=idle;
            else
                state_next <=delay2;
            end if;
            pulse <= '1';
        when delay2 =>
            if stop='1' then
                state_next <=idle;
            else

```

```

        state_next <=delay3;
    end if;
    pulse <= '1';
when delay3 =>
    if stop='1' then
        state_next <=idle;
    else
        state_next <=delay4;
    end if;
    pulse <= '1';
when delay4 =>
    if stop='1' then
        state_next <=idle;
    else
        state_next <=delay5;
    end if;
    pulse <= '1';
when delay5 =>
    state_next <=idle;
    pulse <= '1';
end case;
end process;
end fsm_arch;

```

- Regular sequential circuit implementation
 - Based on a mod-5 counter
 - Use a flag FF to indicate whether counter should be active
 - Code difficult to comprehend

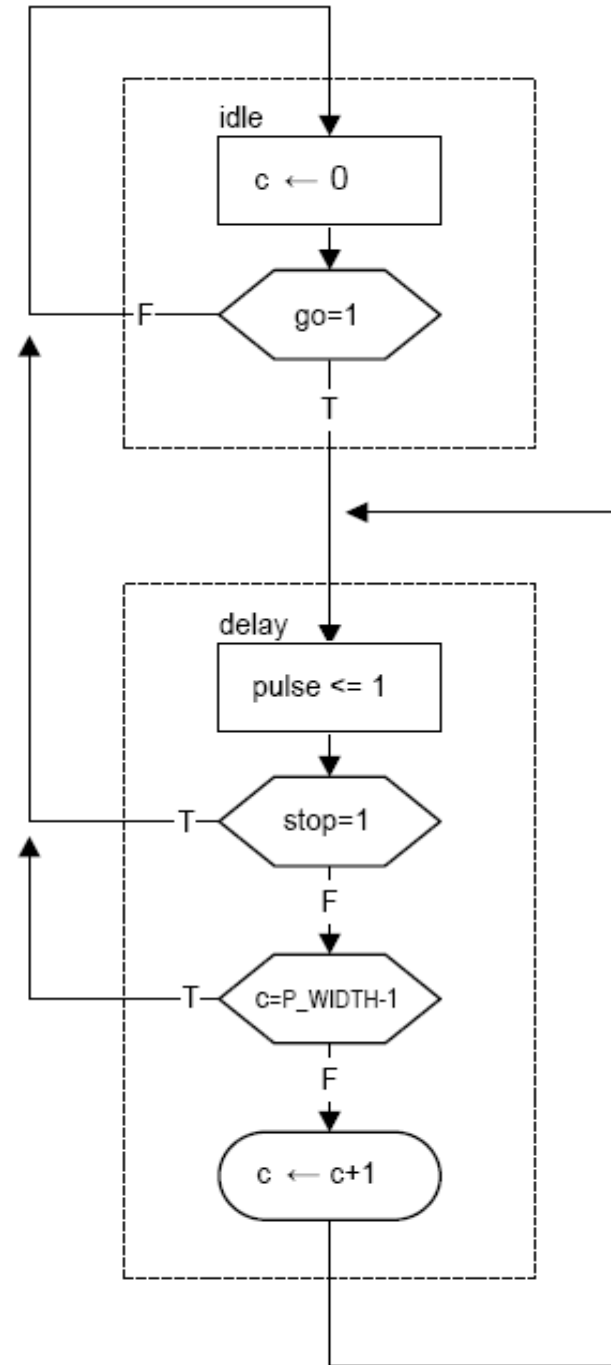
```
architecture regular_seq_arch of pulse_5clk is
    constant P_WIDTH: natural := 5;
    signal c_reg, c_next: unsigned(3 downto 0);
    signal flag_reg, flag_next: std_logic;
begin
    — register
    process (clk, reset)
    begin
        if (reset='1') then
            c_reg <= (others=>'0');
            flag_reg <= '0';
        elsif (clk'event and clk='1') then
            c_reg <= c_next;
            flag_reg <= flag_next;
        end if;
    end process;
end;
```

```

-- next-state logic
process (c_reg, flag_reg, go, stop)
begin
    c_next <= c_reg;
    flag_next <= flag_reg;
    if (flag_reg='0') and (go='1') then
        flag_next <= '1';
        c_next <= (others=>'0');
    ;
    elsif (flag_reg='1') and
        ((c_reg=P_WIDTH-1) or (stop='1')) then
        flag_next <= '0';
    elsif (flag_reg='1') then
        c_next <= c_reg + 1;
    )
    end if ;
end process;
-- output logic
pulse <= '1' when flag_reg='1' else '0';
end regular_seq_arch;

```

- FSMD Implementation




```

architecture fsmd_arch of pulse_5clk is
    constant P_WIDTH: natural := 5;
    type fsmd_state_type is (idle, delay);
    signal state_reg, state_next: fsmd_state_type;
    signal c_reg, c_next: unsigned(3 downto 0);
begin
    — state and data registers
    process (clk, reset)
    begin
        if (reset='1') then
            state_reg <= idle;
            c_reg <= (others=>'0');
        elsif (clk'event and clk='1') then
            state_reg <= state_next;
            c_reg <= c_next;
        end if;
    end process;
end architecture fsmd_arch;

```

```

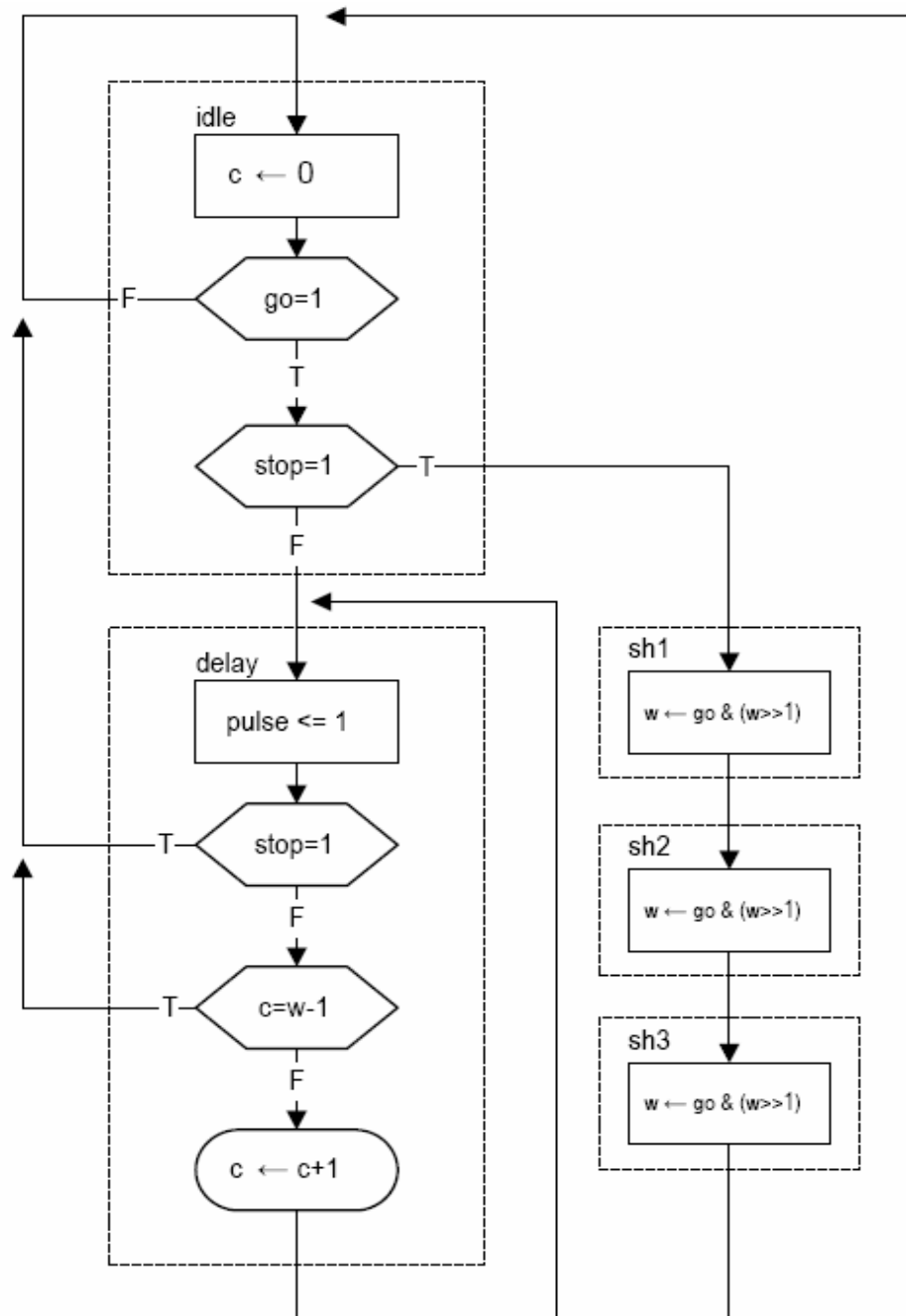
-- next-state logic & data path functional units/routing
process(state_reg,go,stop,c_reg)
begin
    pulse <= '0';
    c_next <= c_reg;
    case state_reg is
        when idle =>
            if go='1' then
                state_next <= delay;
            else
                state_next <= idle;
            end if;
            c_next <= (others=>'0');
        when delay =>
            if stop='1' then
                state_next <=idle;
            else
                if (c_reg=P_WIDTH-1) then
                    state_next <=idle;
                else
                    state_next <=delay;
                    c_next <= c_reg + 1;
                end if;
            end if;
            pulse <= '1';
        end case;
    end process;
end fsmd_arch;

```

- Comparison:
 - FSMD is most flexible and easy to comprehend
- What happens to the following modifications
 - The delay extend from 5 cycles to 100 cycles
 - The `stop` signal is only effective for the first 2 delay cycles and will be ignored otherwise

- “Programmable” one-shot generator
 - The desired width can be programmed.
 - The circuit enters the programming mode when both `go` and `stop` are asserted
 - The desired width shifted in via `go` in the next three clock cycles

- Can be easily extended in ASMD chart
- How about FSM and regular sequential circuit?



2. GCD circuit

- GCD: Greatest Common Divisor
 - E.g, $\text{gcd}(1, 10)=1$, $\text{gcd}(12,9)=3$
- GCD without division:

$$\text{gcd}(a, b) = \begin{cases} a & \text{if } a = b \\ \text{gcd}(a - b, b) & \text{if } a > b \\ \text{gcd}(a, b - a) & \text{if } a < b \end{cases}$$

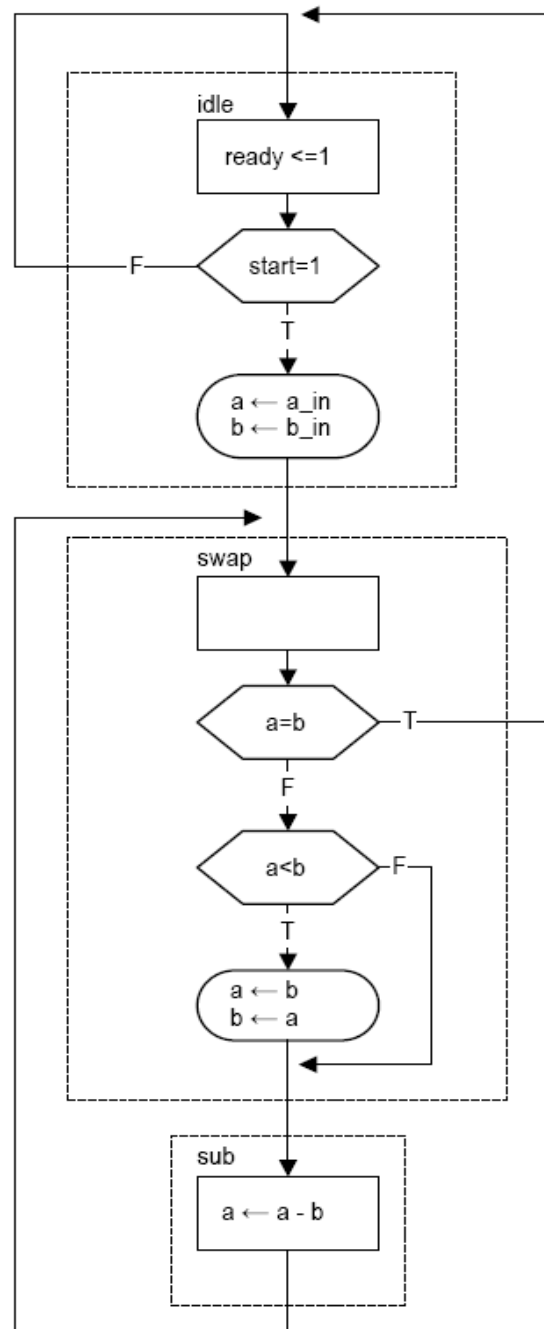
- Pseudo algorithm

```
a = a_in;  
b = b_in;  
while (a /= b) {  
    if (b > a) then  
        a = a - b;  
  
    else  
        b = b - a;  
    end if  
}  
r = a;
```

- Modified pseudo algorithm w/o while loop

```
    a = a_in;
    b = b_in;
swap:  if (a = b) then
        goto stop;
    else
        if (b > a) then — swap a and b
            a = b;
            b = a;
        end if;
        a = a - b;
        goto swap;
    end if;
stop:  r = a;
```


- ASMD chart



- VHDL code

```
library ieee;
use ieee.std_logic_1164.all;
use ieee.numeric_std.all;
entity gcd is
    port(
        clk, reset: in std_logic;
        start: in std_logic;
        a_in, b_in: in std_logic_vector(7 downto 0);
        ready: out std_logic;
        r: out std_logic_vector(7 downto 0)
    );
end gcd ;

architecture slow_arch of gcd is
    type state_type is (idle, swap, sub);
    signal state_reg, state_next: state_type;
    signal a_reg, a_next, b_reg, b_next: unsigned(7 downto 0);
```

```

— state & data registers
process(clk,reset)
begin
    if reset='1' then
        state_reg <= idle;
        a_reg <= (others=>'0');
        b_reg <= (others=>'0');
    elsif (clk'event and clk='1') then
        state_reg <= state_next;
        a_reg <= a_next;
        b_reg <= b_next;
    end if;
end process;

```

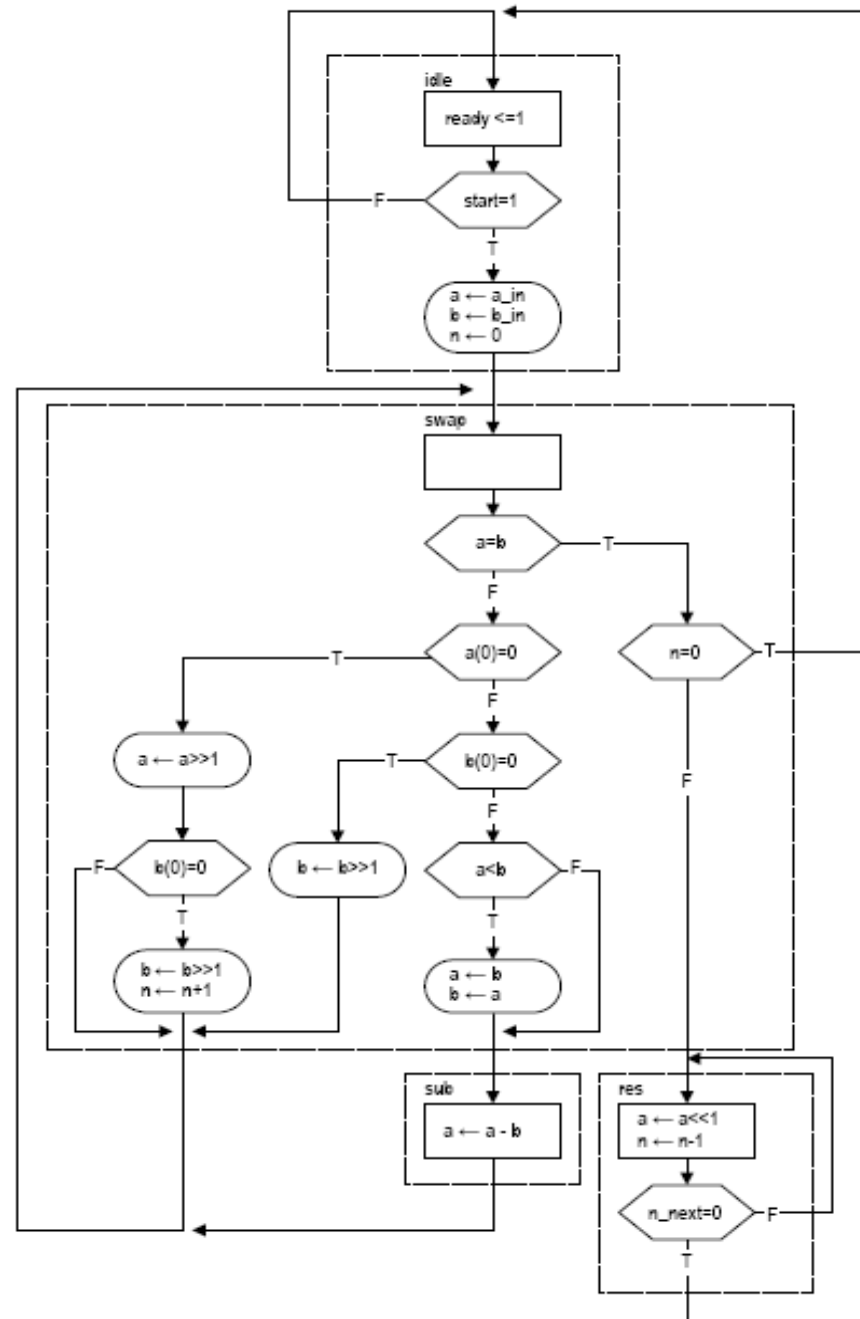
```

process (state_reg, a_reg, b_reg, start, a_in, b_in)
begin
    a_next <= a_reg;
    b_next <= b_reg;
    case state_reg is
        when idle =>
            if start='1' then
                a_next <= unsigned(a_in);
                b_next <= unsigned(b_in);
                state_next <= swap;
            else
                state_next <= idle;
            end if;
        when swap =>
            if (a_reg=b_reg) then
                state_next <= idle;
            else
                if (a_reg < b_reg) then
                    a_next <= b_reg;
                    b_next <= a_reg;
                end if;
                state_next <= sub;
            end if;
        when sub =>
            a_next <= a_reg - b_reg;
            state_next <= swap;
        end case;
    end process;

```

- What is the problem of this code?
- Another observation

$$\text{gcd}(a, b) = \begin{cases} a & \text{if } a = b \\ 2 \text{gcd}(\frac{a}{2}, \frac{b}{2}) & \text{if } a \neq b \text{ and } a, b \text{ even} \\ \text{gcd}(a, \frac{b}{2}) & \text{if } a \neq b \text{ and } a \text{ odd, } b \text{ even} \\ \text{gcd}(\frac{a}{2}, b) & \text{if } a \neq b \text{ and } a \text{ even, } b \text{ odd} \\ \text{gcd}(a - b, b) & \text{if } a > b \text{ and } a, b \text{ odd} \\ \text{gcd}(a, b - a) & \text{if } a < b \text{ and } a, b \text{ odd} \end{cases}$$



- What is the performance now?
- Can we do better with more hardware resources

Square root approximation circuit

- A example of data-oriented (computation-intensive) application
- Equation:

$$\sqrt{a^2 + b^2} \approx \max(((x - 0.125x) + 0.5y), x)$$

where $x = \max(|a|, |b|)$ and $y = \min(|a|, |b|)$

- 0.125x and 0.5y corresponds to shift right 3 bits and 1 bit

- Pseudo code:

```
a = a_in;  
b = b_in;  
t1 = abs(a);  
t2 = abs(b);  
x = max(t1, t2);  
y = min(t1, t2);  
t3 = x*0.125;  
t4 = y*0.5;  
t5 = x - t3;  
t6 = t4 + t5;  
t7 = max(t6, x)  
r = t7;
```

- Direct “data-flow” implementation

```
library ieee;
use ieee.std_logic_1164.all;
use ieee.numeric_std.all;
entity sqrt is
;   port (
        a_in, b_in: in std_logic_vector(7 downto 0);
        r: out std_logic_vector(8 downto 0)
    );
end sqrt;

architecture comb_arch of sqrt is
    constant WIDTH: natural:=8;
    signal a, b, x, y: signed(WIDTH downto 0);
    signal t1, t2, t3, t4, t5, t6, t7: signed(WIDTH downto 0);
```

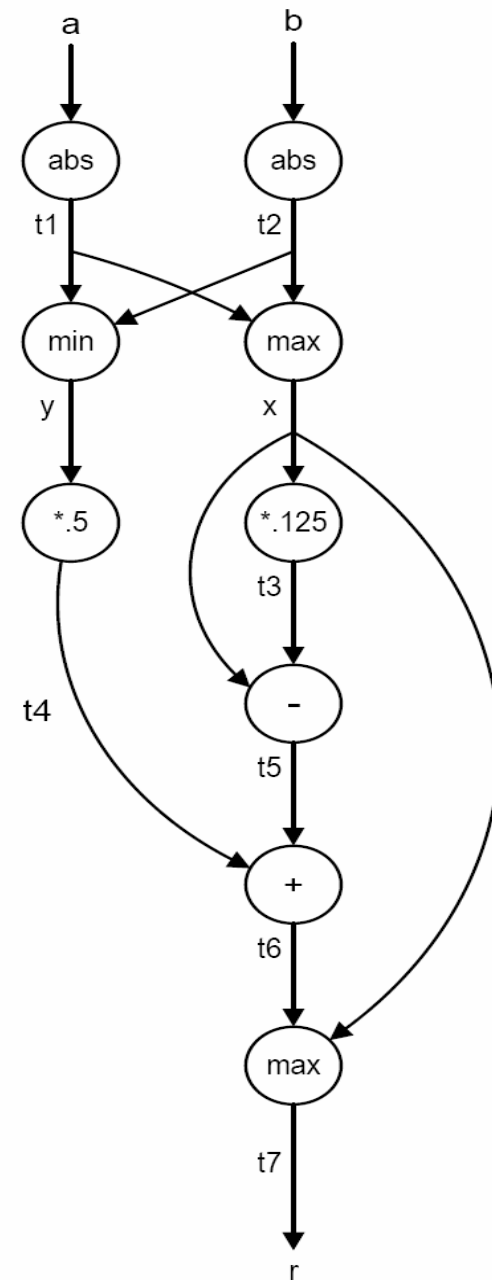
```

begin
  a <= signed(a_in(WIDTH-1) & a_in);  -- signed extension
  b <= signed(b_in(WIDTH-1) & b_in);
  t1 <= a when a > 0 else
      0 - a;
  t2 <= b when b > 0 else
      0 - b;
  x <= t1 when t1 - t2 > 0 else
      t2;
  y <= t2 when t1 - t2 > 0 else
      t1;
  t3 <= "000" & x(WIDTH downto 3);
  t4 <= "0" & y(WIDTH downto 1);
  t5 <= x - t3;
  t6 <= t4 + t5;
  t7 <= t6 when t6 - x > 0 else
      x;
  r <= std_logic_vector(t7);
end comb_arch;

```

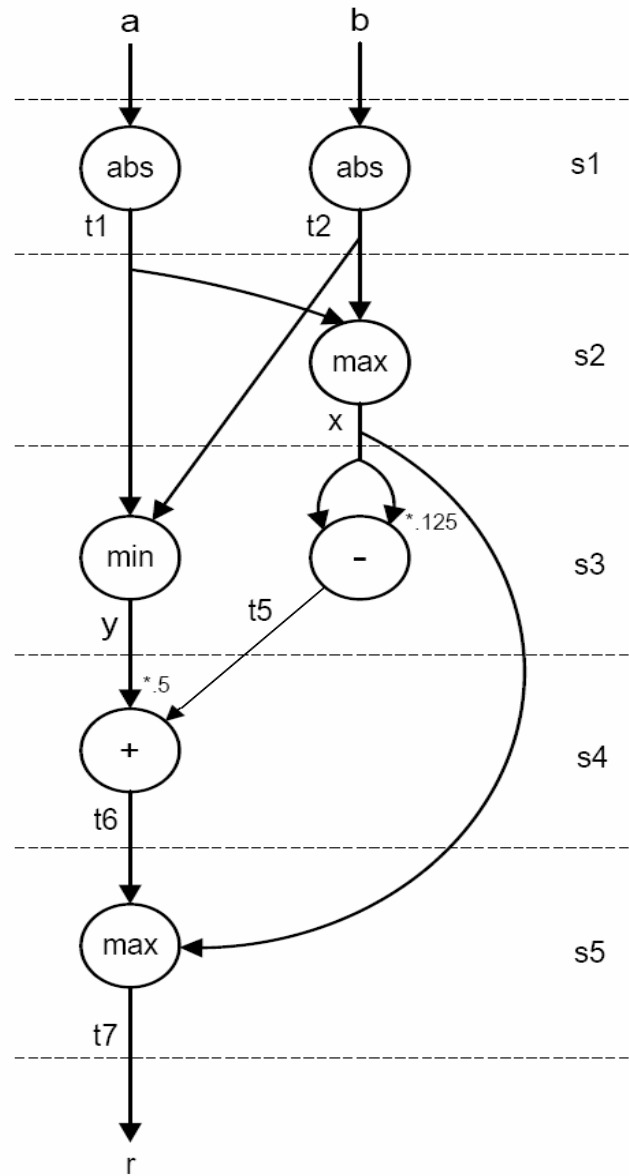
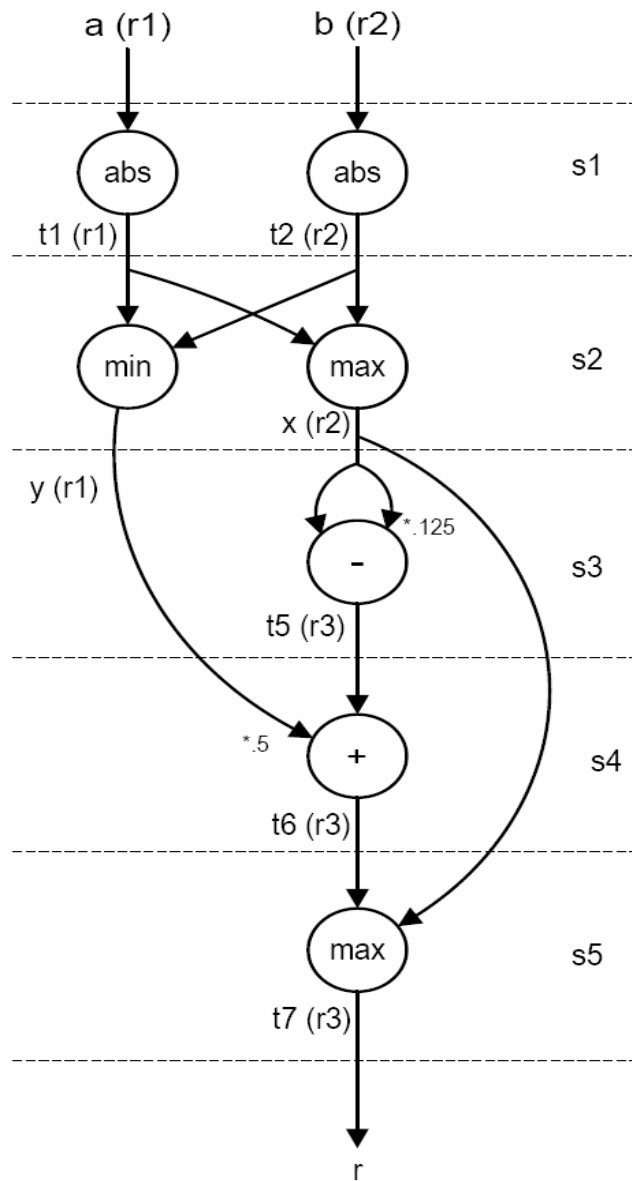
- Requires one adder and six subtractors
- Code contains only concurrent signal assignment statements
- The order is not important.
- Sequence of execution is embedded in the flow of data

- Data flow graph
 - Shows data dependency
 - Node (circle): an operation
 - Arches: input and output variables
- Note that there is limited degree of parallelism
 - At most two operations can be performed simultaneously

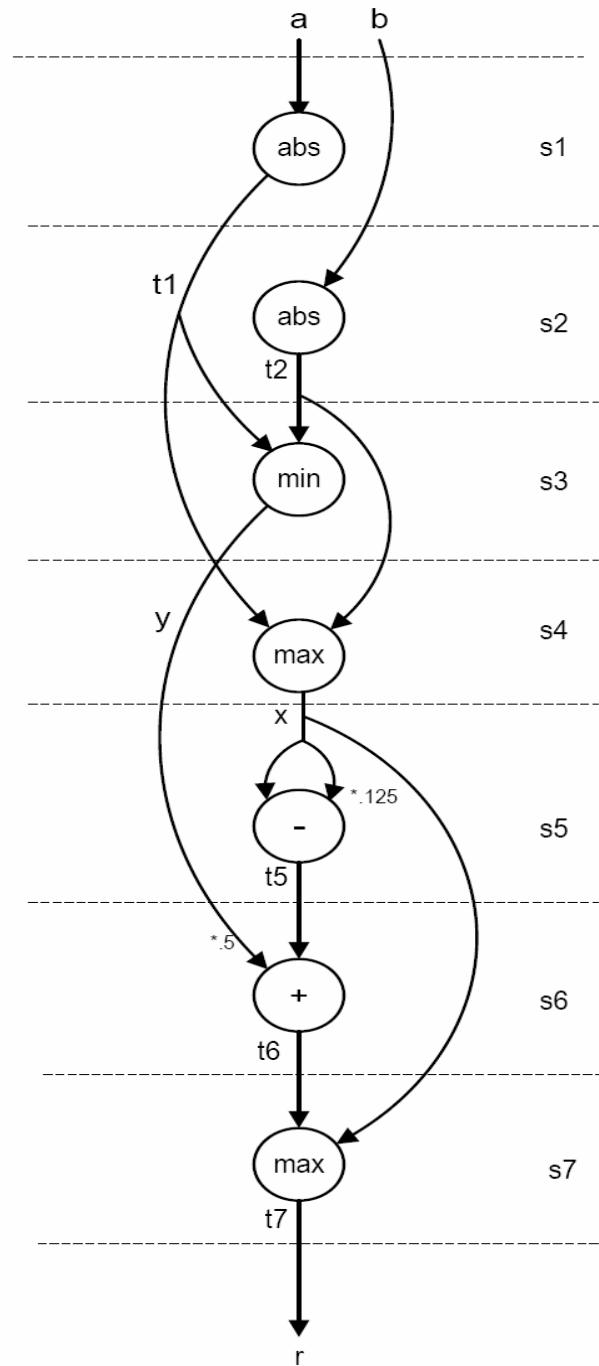


- RT methodology can be used to share the operator
- Tasks in converting a dataflow graph to an ASMD chart
 - Scheduling: *when* a function (circle) can start execution
 - Binding: *which* functional unit is assigned to perform the operation
- In square root algorithm,
 - all operations can be performed by a modified addition unit
 - No function unit is needed for shifting

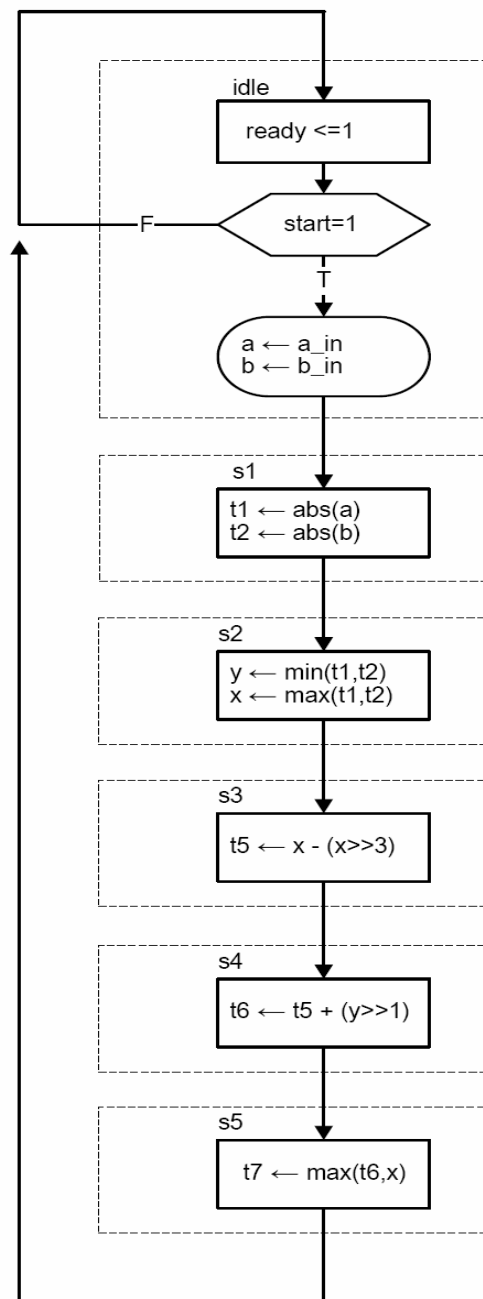
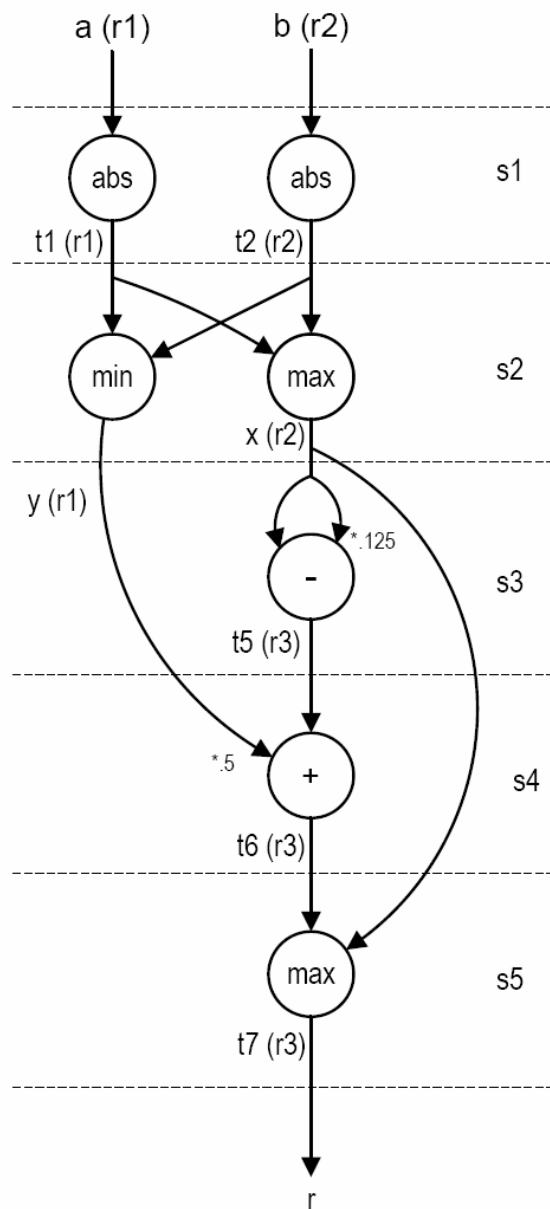
- Scheduling with two functional units



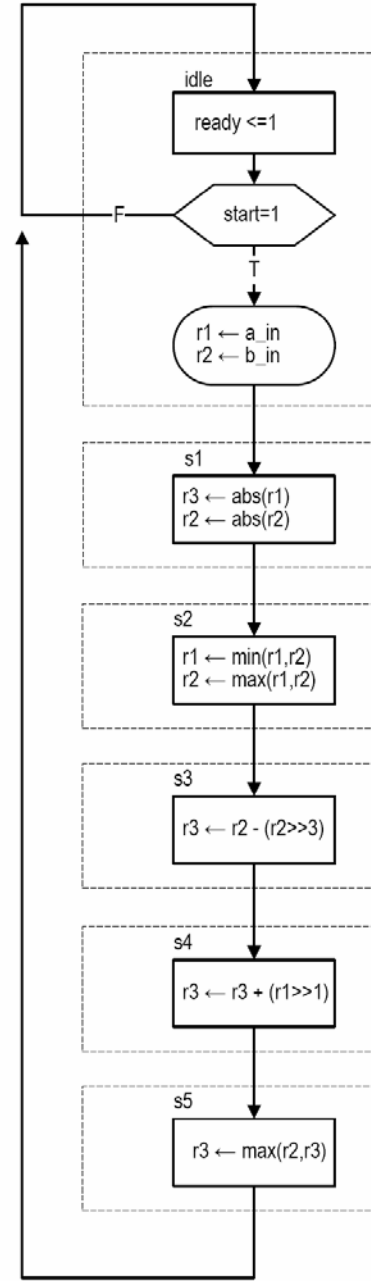
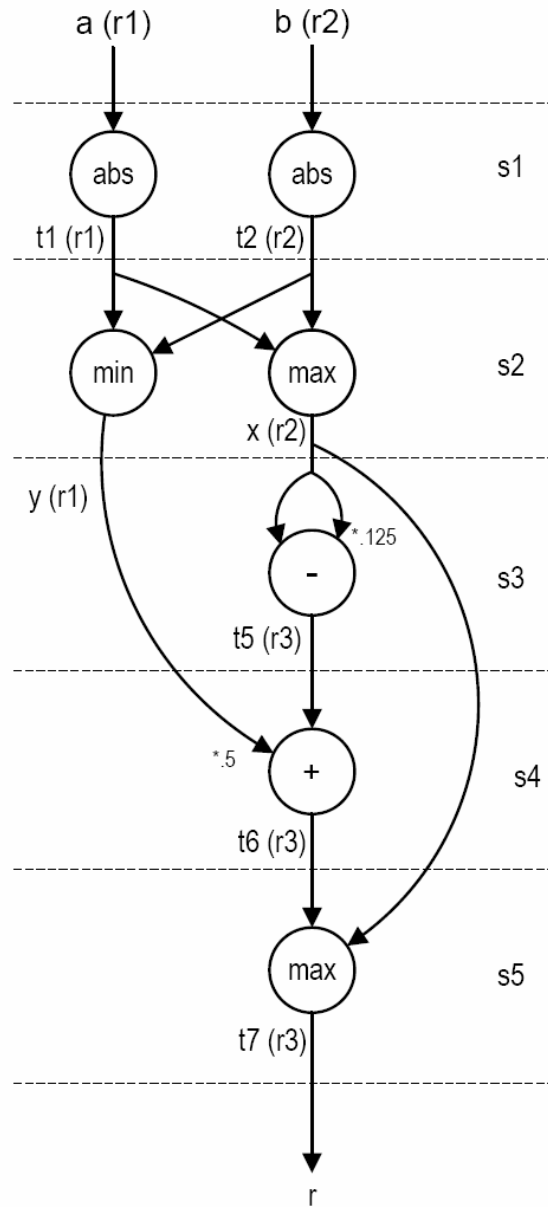
- Scheduling with one functional unit



- ASMD chart



- Registers can be shared as well
 - reduce the number of unique variables
 - A variable can be reused if its value is no longer needed
- E.g.,
 - Use r1 to replace a, t1 and y.
 - Use r2 to replace b, t2 and x.
 - Use r3 to replace t5, t6 and t7.



- VHDL code
 - Needs to manually code the data path two insure functional units sharing
 - One unit for abs and min
 - One unit for abs, min, - and +
 - Can be implemented by using an adder/subtractor with special input and output routing circuits

```

-- state & data registers
process (clk, reset)
begin
    if reset='1' then
        state_reg <= idle;
        r1_reg <= (others=>'0');
        r2_reg <= (others=>'0');
        r3_reg <= (others=>'0');
    elsif (clk'event and clk='1') then
        state_reg <= state_next;
        r1_reg <= r1_next;
        r2_reg <= r2_next;
        r3_reg <= r3_next;
    end if;
end process;

```

```

case state_reg is
  when idle =>
    if start='1' then
      r1_next <= signed(a_in(WIDTH-1) & a_in)
      r2_next <= signed(b_in(WIDTH-1) & b_in)
      state_next <= s1;
    else
      state_next <= idle;
    end if;
    ready <='1';
  when s1 =>
    r1_next <= au1_out; --  $t1 = |a|$ 
    r2_next <= au2_out; --  $t2 = |b|$ 
    state_next <= s2;
  when s2 =>
    r1_next <= au1_out; --  $y = \min(t1, t2)$ 
    r2_next <= au2_out; --  $x = \max(t1, t2)$ 
    state_next <= s3;
  when s3 =>
    r3_next <= au2_out; --  $t5 = x - 0.125x$ 
    state_next <= s4;
  when s4 =>
    r3_next <= au2_out; --  $t6 = 0.5y + t5$ 
    state_next <= s5;
  when s5 =>
    r3_next <= au2_out; --  $t7 = \max(t6, x)$ 
    state_next <= idle;
end case;

```

```

-- arithmetic unit 1
-- subtractor
diff <= sub_op0 - sub_op1;
-- input routing
process (state_reg, r1_reg, r2_reg)
begin
    case state_reg is
        when s1 => -- 0-a
            sub_op0 <= (others => '0');
            sub_op1 <= r1_reg; -- a
        when others => -- s2: t2-t1
            sub_op0 <= r2_reg; -- t2
            sub_op1 <= r1_reg; -- t1
    end case;
end process;

```

```

-- output routing
process(state_reg, r1_reg, r2_reg, diff)
begin
    case state_reg is
        when s1 => -- |a|
            if diff(WIDTH)='0' then -- (0-a)>0
                au1_out <= diff; -- -a
            else
                au1_out <= r1_reg; -- a
            end if;
        when others => -- s2: min(a,b)
            if diff(WIDTH)='0' then -- (t2-t1)>0
                au1_out <= r1_reg; -- t1
            else
                au1_out <= r2_reg; -- t2
            end if;
    end case;
end process;

```


High-level synthesis

- Convert a “dataflow code” into ASMD based code (RTL code).
 - RTL code can be optimized for performance (min # clock cycles), area (min # functional units) etc.
 - Perform scheduling, binding
 - Minimize # registers and muxes
- Mainly for computation intensive applications (e.g., DSP)